

18-bit LVDS to DVI converter board,
resolution support up to 1366x768

LVDS-DVI-R10

Quick Installation Guide

Version 1.0

Aug. 12, 2011

Package Contents

LVDS-DVI includes the following items:

- 1 x LVDS-DVI-R10 Converter Card
- 1 x SMBus Cable
- 1 x QIG (Quick Installation Guide)



©2006 Copyright by IEI Technology corp.
All rights reserved.

Feature:

- Provide DVI option for dual display output
- Resolution supported 1366x768, 1024x768, 800x600, 640x480
- 18 or 24 bits LVDS to DVI converter board

Ordering Information

LVDS-DVI-R10:

18/24 bit LVDS to DVI Converter board

32602-012200-100-RS

20 to 30pin LVDS connecting cable for WAFER-PV-D5252 only

32602-012300-100-RS

20 to 20pin LVDS connecting cable

Support model

WSB-PV-D5251	PICOe-PV-D5251	PCISA-PV-D5251
KINO-PV-D5251	NOVA- PV-D5251	NANO-PV-D5251
NANO-PV-D5252	WAFER-PV-D5252	

Table of Connectors

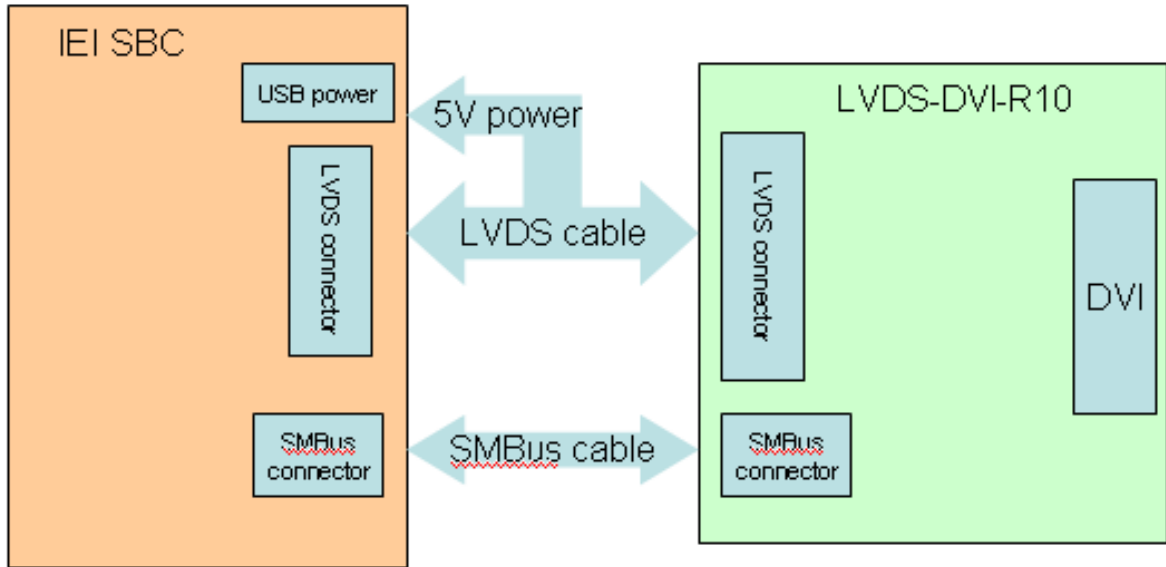
LABEL	FUNCTION
LVDS1	LVDS Panel Connector
JP1	SMBus connector
CON1	DVI connector

JP2: SMBus Connector	
PIN NO.	DESCRIPTION
1	NC
2	SMB_DATA
3	SMB_CLK
4	NC

LVDS1: LVDS Connector			
PIN NO.	DESCRIPTION	PIN NO.	DESCRIPTION
1	GND1	2	GND2
3	A_Y0	4	A_Y0#
5	A_Y1	6	A_Y1#
7	A_Y2	8	A_Y2#
9	A_CK	10	A_CK#
11	A_Y3	12	A_Y3#
13	GND3	14	GND4
15	NC	16	NC
17	VDD5	18	VDD5
19	VDD5	20	VDD5

CON1: DVI 24-pin Female Connector			
PIN	DESCRIPTION	PIN	DESCRIPTION
1	DVI signal differential pair (2-)	2	DVI signal differential pair (2+)
3	GND	4	NC
5	NC	6	DDCLCK
7	DCCDATA	8	N/C
9	DVI signal differential pair (1-)	10	DVI signal differential pair (1+)
11	GND	12	NC
13	NC	14	5V supply
15	GND	16	Hot plug detect
17	DVI signal differential pair (0-)	18	DVI signal differential pair (0+)
19	GND	20	NC
21	NC	22	GND
23	DVI CLK(+)	24	DVI CLK(-)

Cable connection between SBC and LVDS-VGA02



Board Layout: Jumper and Connector Locations

